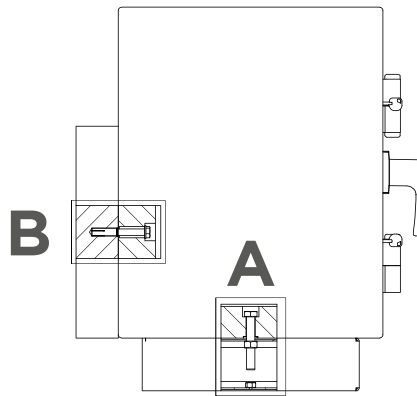
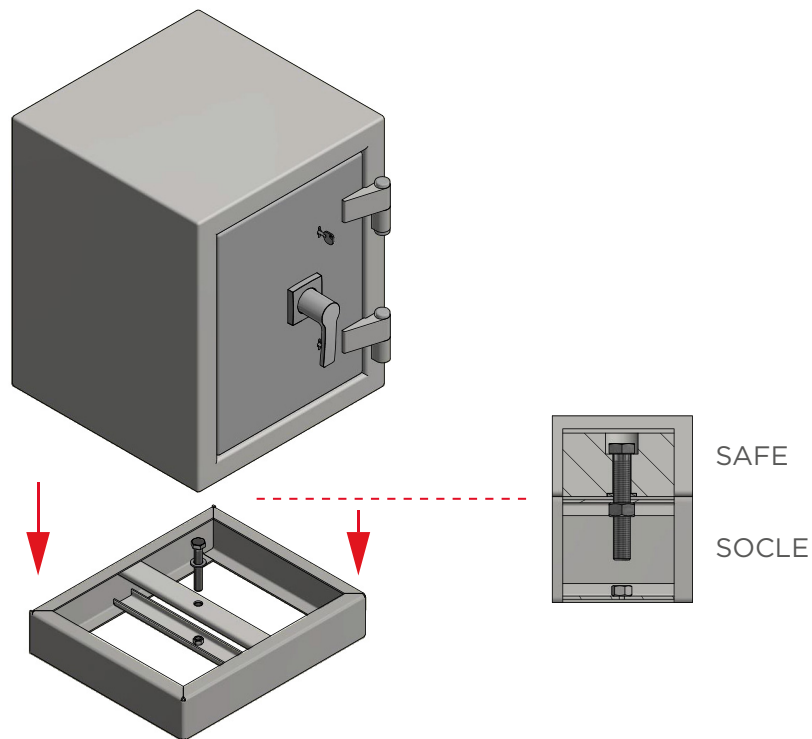




SOCLE ASSEMBLY MANUAL INSTRUCTION



A Placing the safe on the socle/ assembly of the safe to the socle - **optional**



B Anchoring the safe to the back wall - **mandatory**

